

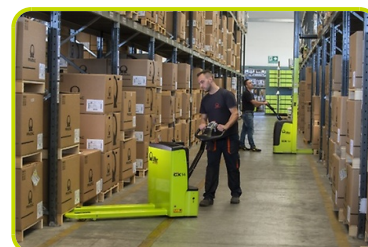
CX14 (II ED.) BASIC 1150X685

SMALL SIZE, GREAT MANOEUVRABILITY



CX14

The new CX14 electric pallet trucks are compact, lightweight and easy to use. They have been specifically designed for use in confined spaces within rail, shops, supermarkets and on-board delivery vehicles. These simple and efficient pallet trucks are built to last and are perfect for all your pedestrian material handling needs. They are available in four different versions: BASIC, PLUS AGM, EVO AGM and EVO Li-ION (Lithium batteries).



BASIC VERSION

The BASIC version is equipped with:

- Starting type battery
- Tiller made with metal tube and ergonomic fingertip controls
- Reliable DC drive system

A configuration that offers best value for money.




24V / 70Ah 4,4/4,8 km/h




kg 115 mm

1400 kg 115 mm

MANOEUVRABILITY

- Short chassis dimension (L2 = 410 mm) to offer improved manoeuvrability in confined spaces.
- Compact design perfect for working in narrow areas and corridors, featuring a tighter turning radius (Wa = 1345 mm) for faster pinwheeling and easier navigation in congested spaces.
- Smooth rounded fork tips and entry/exit rollers to optimize pallet handling.



RELIABILITY

- Robust frame (metal motor wheel protection 6 mm thick) designed to guarantee maximum durability and resistance to torsion and heavy loads.
- Battery discharge indicator to allow easy management.
- Easy access to electrical components for maintenance.



PRODUCTIVITY

- Strong ABS cover with storage tray on top, easily removable for simple access to batteries and key components speeding-up maintenance operations.
- Easy access to the motorwheel components through dedicated inspection opening.
- Schuko plug with spiral cable and on board battery charger.



INTELLIGENT TILLER

- Ergonomic tiller designed for both left and right handed operation.
- Butterfly valves for traction control.
- Safety push button with warning buzzer.
- Turtle function for moving in tight areas with the handle in vertical position while remaining almost within the profile of the machine.



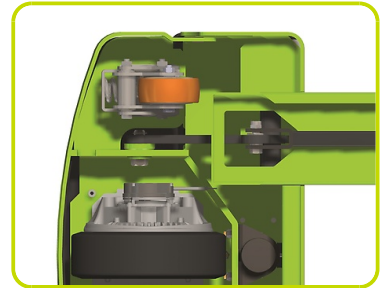
ON-BOARD BATTERY CHARGER

Built-in battery charger provides a convenient charging solution and eliminates the need to remove the battery from the machine.



TRACTION & SAFETY

Traction is granted by the biggest heavy-duty stabilizer wheels (100x40 mm) in the category, with heavy duty spring. All linkage connections done through bushings that increase stability and durability.



ROLLERS

Standard configuration provided with single polyurethane rollers. Available tandem rollers as optional.



Description

| | | | |
|----------------------------|---|----|------------------|
| 1.1 Manufacturer | | | PR INDUSTRIAL |
| Lift | | | Electric |
| 1.3 Drive | | | Electric |
| 1.4 Operator type | | | Pedestrian |
| 1.5 Load capacity | Q | Kg | 1400 |
| 1.6 Load centre distance | c | mm | 600 |
| 1.8 Load axle to end forks | x | mm | 935 |
| 1.9 Wheel base | y | mm | 1196 |

Weights

| | | | |
|---------------------------------------|--|----|------|
| 2.1 Service weight (battery included) | | Kg | 223 |
| 2.2 Axle load, laden rear | | Kg | 1042 |
| 2.2 Axle load, laden front | | Kg | 581 |
| 2.3 Axle load, unladen front | | Kg | 186 |
| 2.3 Axle load, unladen rear | | Kg | 38 |

Tyres/Chassis

| | | | |
|--|-----|----|---------|
| 3.1 Tyres: front wheels | | | RUBBER |
| 3.1 Tyres: stabilizers wheels - Front | | | POLY.C. |
| 3.1 Tyres: rear wheels | | | POLY.C. |
| 3.2 Tyre size: Steering wheels - Width | | mm | 76 |
| 3.2 Tyre size: Steering wheels - Diameter | | mm | 250 |
| 3.3 Tyre size: Load rollers - Diameter | | mm | 82 |
| 3.3 Tyre size: Load rollers - Width | | mm | 80 |
| 3.4 Tyre size: stabilizers wheels front - Diameter | | mm | 100 |
| 3.4 Tyre size: stabilizers wheels front - Width | | mm | 40 |
| 3.5 Tyre size: rear wheels - Q.ty (X=driven) | | nr | 2 |
| 3.5 Tyre size: front wheels - Q.ty (X=driven) | | nr | 1x |
| 3.6 Tread, front | b10 | mm | 530 |
| 3.7 Tread, rear | b11 | mm | 535 |

Dimensions

| | | | |
|--|-----|----|------|
| 4.4 Lift height | h3 | mm | 115 |
| 4.9 Height of tiller in drive position max | h14 | mm | 1230 |
| 4.9 Height of tiller in drive position min | h14 | mm | 730 |
| 4.15 Height, lowered | h13 | mm | 85 |
| 4.19 Overall length | l1 | mm | 1560 |
| 4.20 Length to face of forks | l2 | mm | 410 |
| 4.21 Overall width | b1 | mm | 720 |
| 4.22 Fork dimensions - Thickness | s | mm | 55 |
| 4.22 Fork dimensions - Width | e | mm | 150 |
| 4.22 Fork dimensions - Length | l | mm | 1150 |
| 4.25 Distance between fork arms | b5 | mm | 685 |
| 4.32 Ground clearance, centre of wheelbase | m2 | mm | 30 |
| 4.34 Aisle width | Ast | mm | 1810 |
| 4.35 Turning radius | Wa | mm | 1345 |

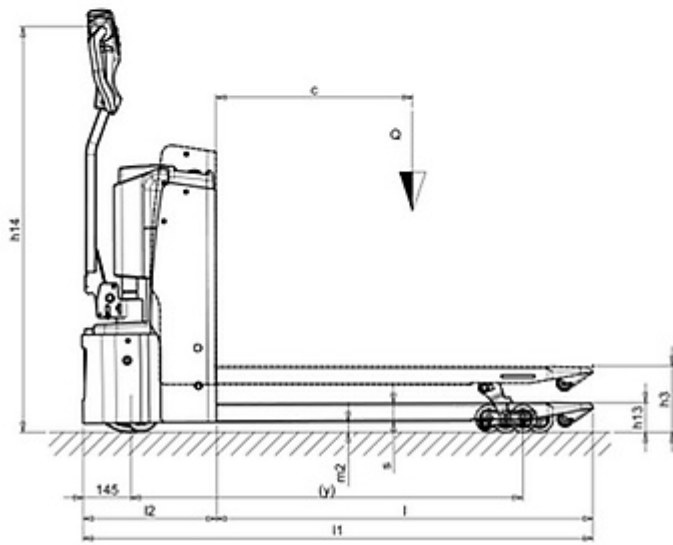
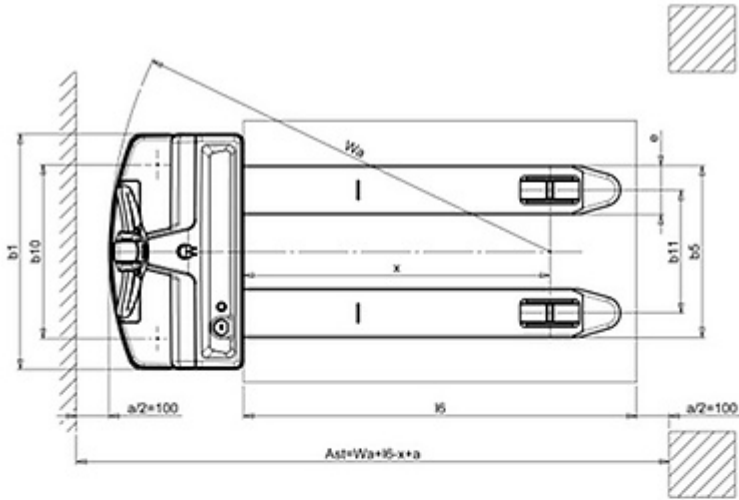
Performance data

| | | |
|------------------------------|------|----------|
| 5.1 Travel speed laden | Km/h | 4.4 |
| 5.1 Travel speed unladen | Km/h | 4.8 |
| 5.2 Lifting speed laden | m/s | 0.03 |
| 5.2 Lifting speed unladen | m/s | 0.04 |
| 5.3 Lowering speed laden | m/s | 0.05 |
| 5.3 Lowering speed unladen | m/s | 0.04 |
| 5.8 Max gradeability laden | % | 5 |
| 5.8 Max gradeability unladen | % | 10 |
| 5.10 Service brake | | Electric |

Electric motors

| | | |
|---|-------|------------------|
| 6.1 Drive motor power | kW | 0.7 |
| 6.2 Lift motor power | kW | 1.0 |
| Battery Type | Tipo | Automotive (C20) |
| 6.4 Battery voltage | V | 24 |
| 6.4 Battery capacity, Min | Ah | 70 |
| 6.4 Battery capacity, Max | Ah | 70 |
| 6.5 Battery weight, Min | Kg | 30 |
| 6.5 Battery weight, Max | Kg | 30 |
| 6.6 Energy consumption according to VDI cycle | kWh/h | 0.25 |
| 8.4 Sound level at driver's ear | dB(A) | 59 |

Integrated battery and battery charger



The information is aligned with the Data file at the time of download. Printed on 29/04/2019 (ID 9001)

©2019 | PR INDUSTRIAL s.r.l. | All rights reserved | Image shown may not reflect actual package. Specifications subject to change without notice

